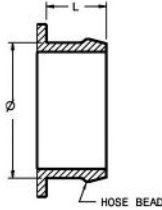


Compressor Inlet

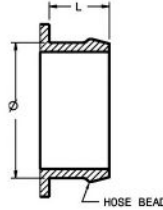
HOSE CONNECTIONS
TABULATED AS (Ø x L)



Ø 54 x 25

Compressor Outlet

HOSE CONNECTIONS
TABULATED AS (Ø x L)



Ø 50 x 25

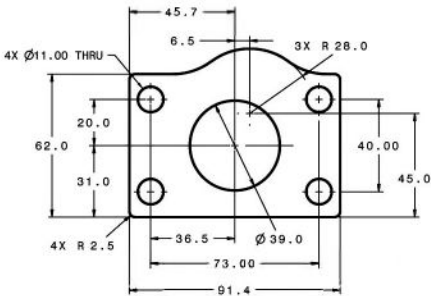
Oil Inlet

Available with
M10 x 1.0 (F)

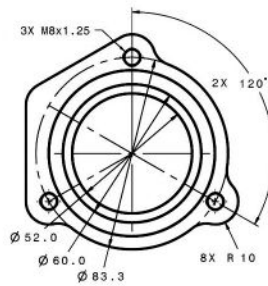
or

M10 x 1.0 (M)

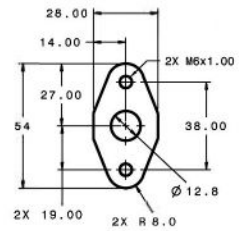
Turbine Inlet



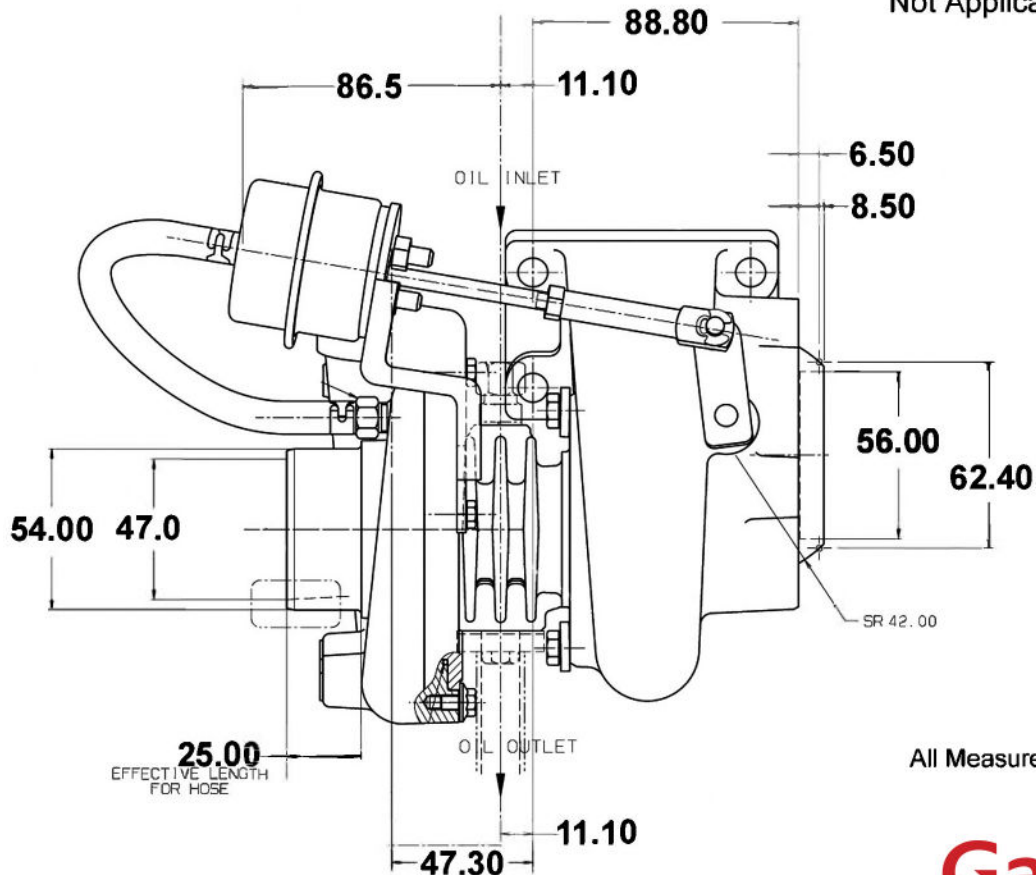
Turbine Outlet



Oil Outlet



Water
Not Applicable



All Measurements in MM