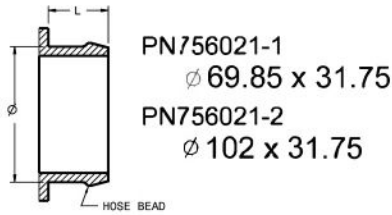
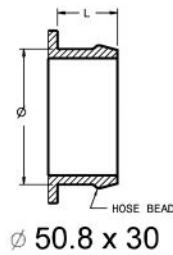


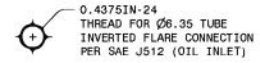
Compressor Inlet
HOSE CONNECTIONS
TABULATED AS (∅ x L)



Compressor Outlet
HOSE CONNECTIONS
TABULATED AS (∅ x L)

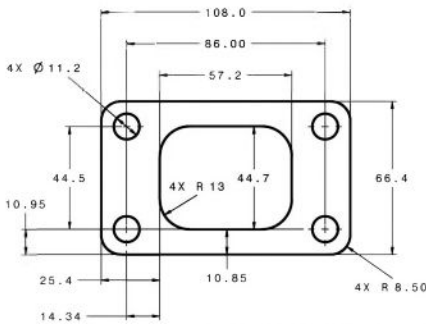


Oil Inlet



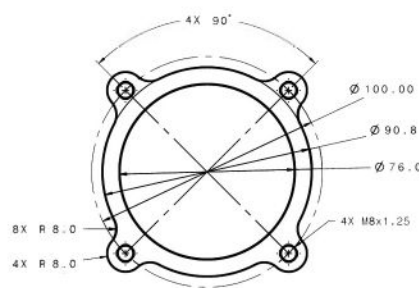
Turbine Inlet

"T3" PN74902-1, 2, 3, 7, 8, 9

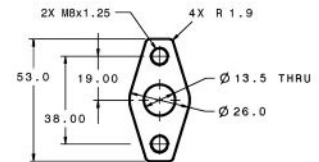


Turbine Outlet

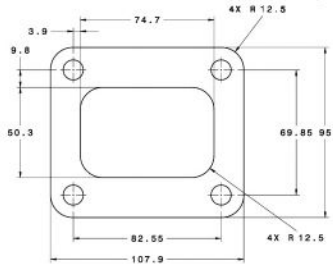
"3-INCH 4 BOLT" PN740902-1, 2, 3



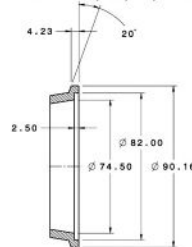
Oil Outlet



"T4 UNDIVIDED" PN740902-13, 14, 15

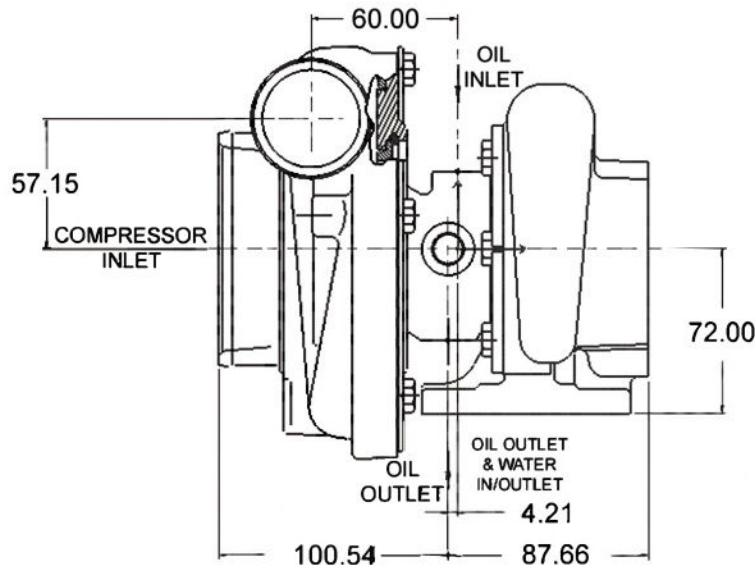


PN740902-7, 8, 9, 13, 14, 15



Water

M14 x 1.50



All Measurements in MM