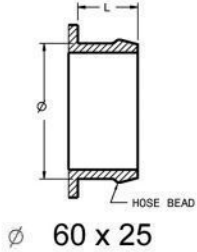
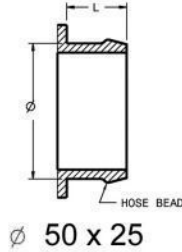


Compressor Inlet
HOSE CONNECTIONS
TABULATED AS (Ø x L)

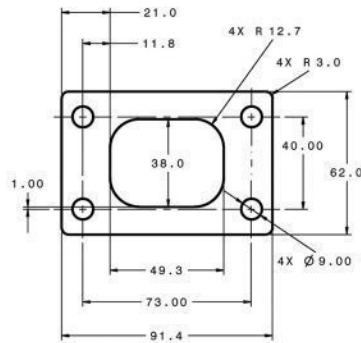


Compressor Outlet
HOSE CONNECTIONS
TABULATED AS (Ø x L)

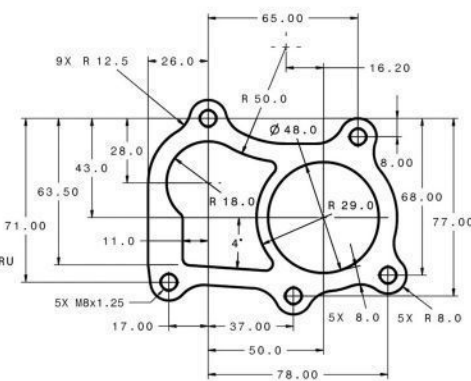


Oil Inlet
Available with
M10 x 1.0 (F)
or
M10 x 1.0 (M)

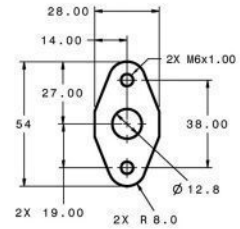
Turbine Inlet
"T25"



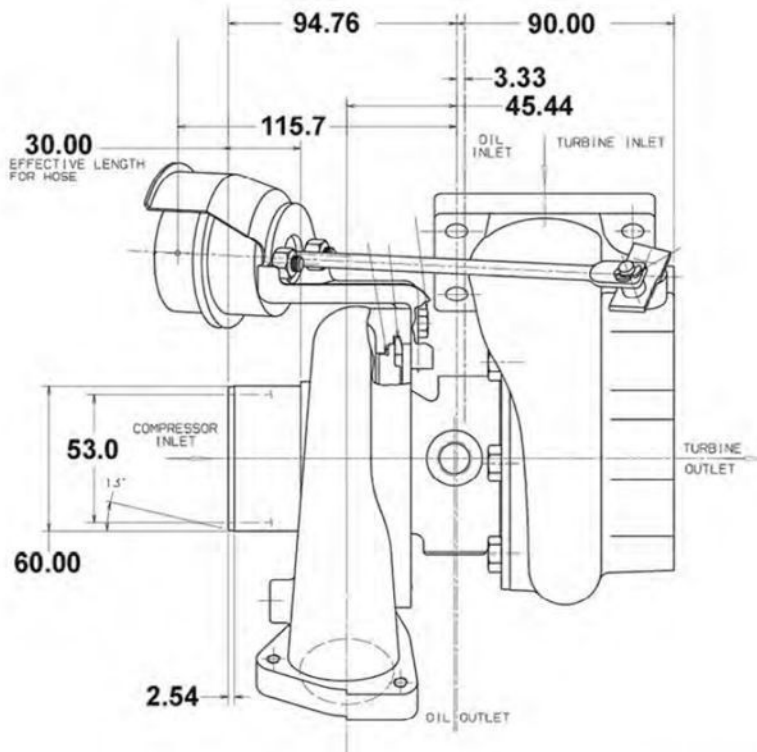
Turbine Outlet
"5 BOLT"



Oil Outlet



Water
Not Applicable



All Measurements in MM