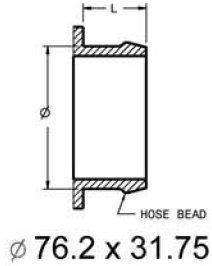


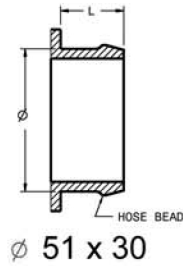
28 Compressor Inlet

HOSE CONNECTIONS
TABULATED AS (Ø x L)

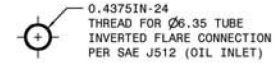


19 Compressor Outlet

HOSE CONNECTIONS
TABULATED AS (Ø x L)

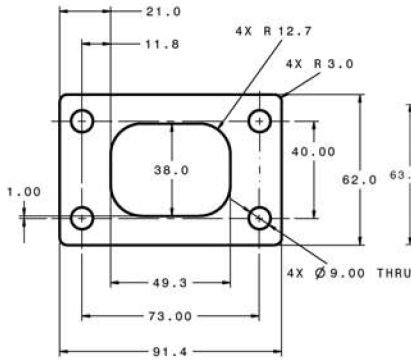


11 Oil Inlet



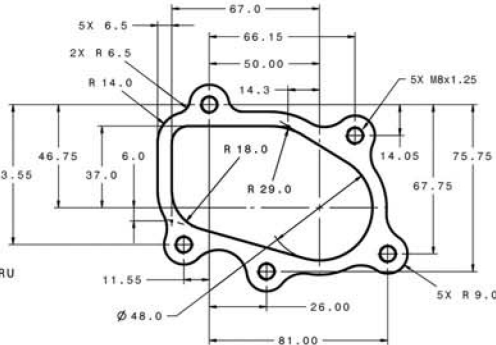
01 Turbine Inlet

"T25"

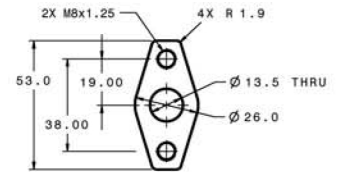


11 Turbine Outlet

"5 BOLT"

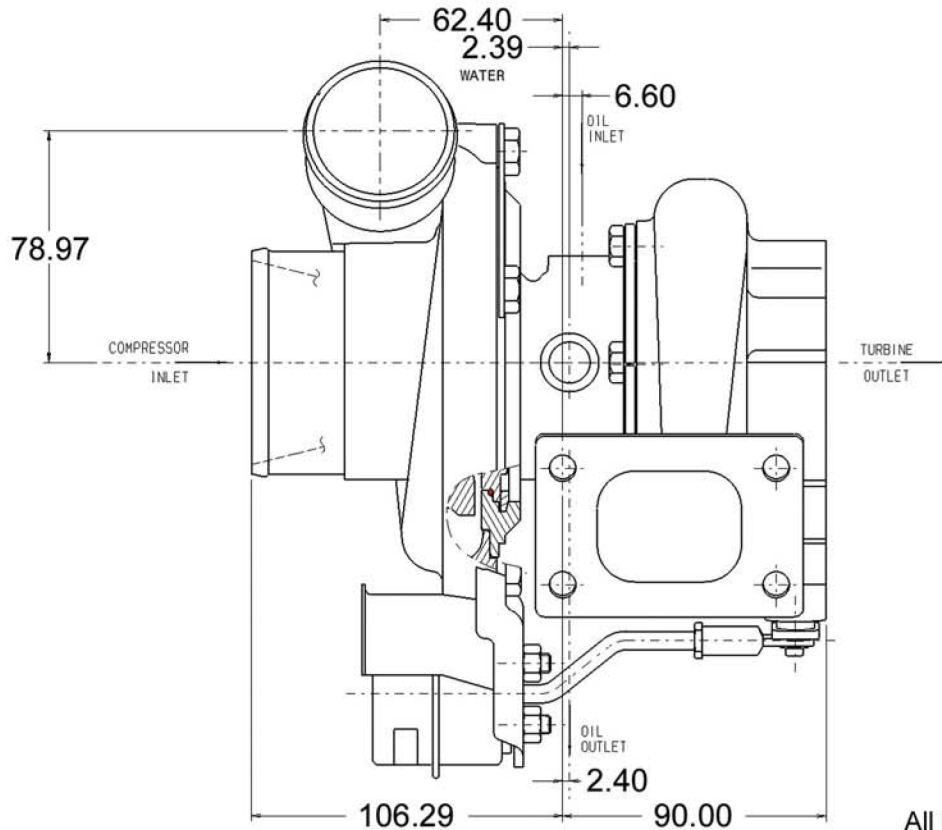


18 Oil Outlet



13 Water

M14 x 1.50



All Measurements in MM