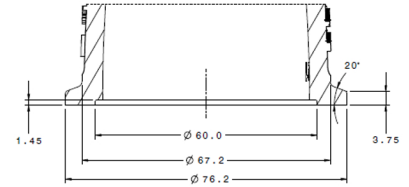
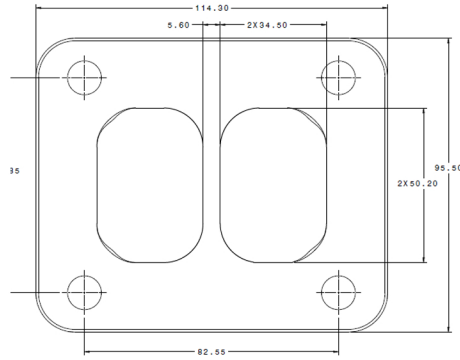
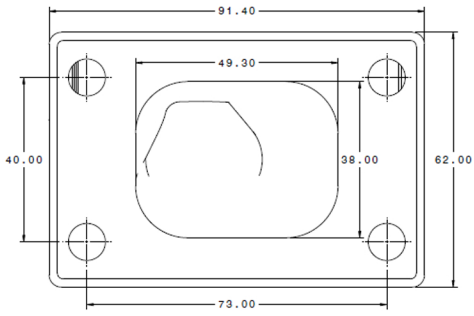


TurboTotal

High Performance Tuning Parts

G SERIES 25-550 | 25-660

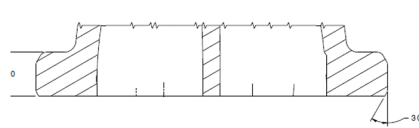


TURBINE OUTLET
V-BAND CONNECTIONS

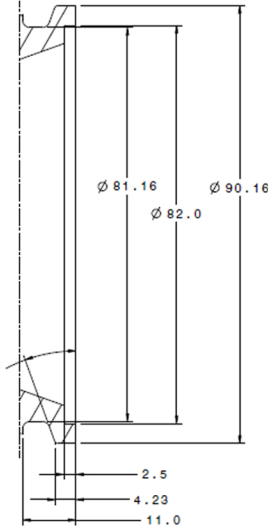
TURBINE INLET
V-BAND CONNECTIONS



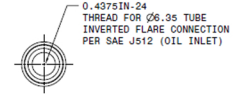
TURBINE INLET
T25 BOLTED CONNECTIONS



TURBINE INLET
T4 BOLTED CONNECTIONS



OIL INLET
-4AN FITTING CONNECTION



OIL OUTLET

COMPRESSOR INLET
HOSE CONNECTIONS
Ø16.2 X 28.40

COMPRESSOR OUTLET
HOSE CONNECTIONS
Ø1.15 X 29.05

