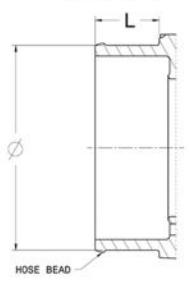
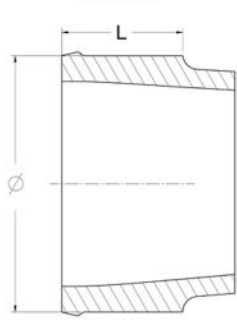


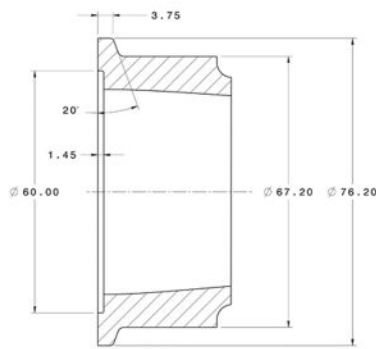
Compressor Inlet
HOSE CONNECTIONS
Ø 103.6 X 31.75



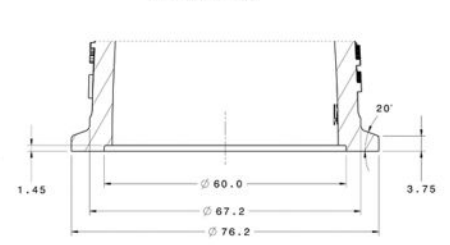
Compressor Outlet
HOSE CONNECTIONS
Ø 63.5 X 30



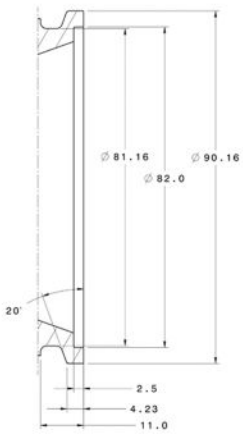
Compressor Outlet
V-BAND CONNECTIONS



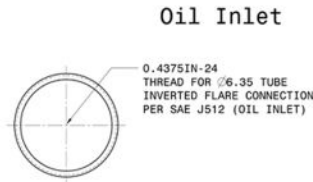
Turbine Inlet
V-BAND CONNECTIONS



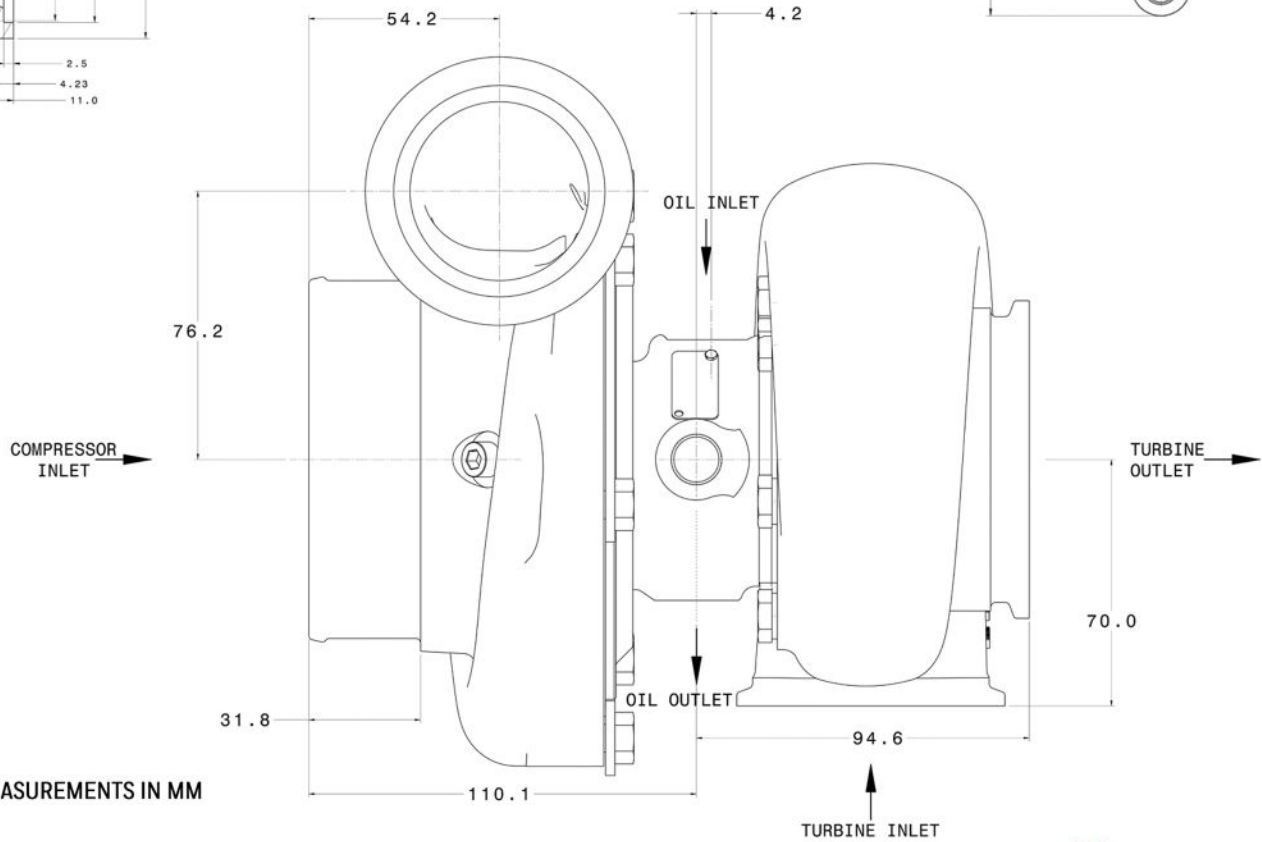
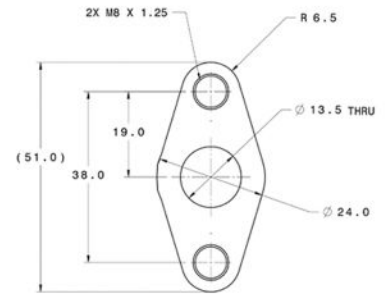
Turbine Outlet
V-BAND CONNECTIONS



Water
M14 X 1.50



Oil Outlet



ALL MEASUREMENTS IN MM